



HF 过流式紫外线杀菌器设备

HF UV-C Water Sterilizer



参数概述 /General Specifications

1. 使用电压范围：
100 ~ 120V /220 ~ 240V/50/60HZ
2. 紫外线杀菌设备电源插头类别
欧式三插 / 美式三插 / 英式三插 / 澳式三插
2. 不锈钢外壳最大工作水压 85-125Psi
3. 不锈钢外壳材质：304/316L
4. 杀菌灯灯管选择：国产杀菌灯 / 荷兰飞利浦 / 美国莱邵思

- 1.Voltage Available:
100 ~ 120V/220 ~ 240V 50/60Hz
- 2.UV Sterilizer Power Plug Type
Europe 3Pin/America 3Pin /UK 3Pin /Australia3Pin
- 2.Max. Working Pressure: 85-125 Psi
- 3.Chamber/Housing:Stainless Steel 304/316L
- 4.UV-Lamp: Chinese Brand/ Philips/Light Sources

尺寸 /Dimension

型号 /Model	Speciflcation	GPM	Inlet/outlet	Max Pressure
HFUV-0.5G	6W	0.5	1/4" /1/2" NPT/BSP	125PSI
HFUV-1G	11W	1	1/4" /1/2" NPT/BSP	125PSI
HFUV-3G	16W	3	1/2" /3/4" NPT/BSP	125PSI
HFUV-6G	25W	6	1/2" /3/4" NPT/BSP	125PSI
HFUV-8G	30W	8	1/2" /3/4" NPT/BSP	125PSI
HFUV-12G	40W	12	3/4" /1.0" NPT/BSP	125PSI

More Options or Customized UV,Please Send Inquiry To Hangzhou Human Fluid Filtration Equipment Co.,LTD



HF2.5 “&4” 不锈钢膜壳

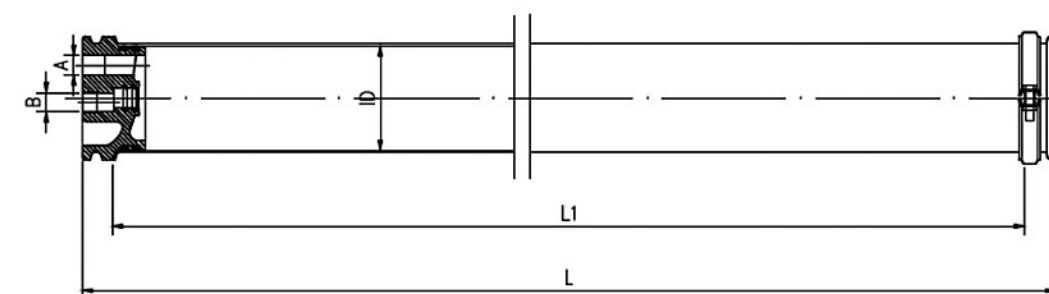
HF2.5" & 4" Membrane Housing - For Industry & Commercial Water



参数概述 /General Specifications

端进水 / 侧进水, 不锈钢卡箍密封 / 不锈钢高压环密封	End Port/Side Port, SS Tri Clamp Closure/SS High Pressure Ring Closure
最大工作压力: 300PSI/6000SI/1200PSI	Max working pressure: 300PSI/6000SI/1200PSI
最大工作温度: 90℃	Max working temperature: 90℃
壳体材质: 不锈钢 304/316L/2205	Housing Material: 304/316L/2205
端盖材质: ABS/GFN/SS304/SS316L/SS2205	End cap material: ABS/GFN/SS304/SS316L/SS2205
O型圈材质: EPDM, NSF 级别	O-ring material: EPDM, with NSF certificate
表面处理: 机械抛光 (240 目, Ra<0.8)	Finish: Mechanical polishing (240 mesh, Ra<0.8)
连接形式: 内螺纹 / 拷贝林 / 卫生级快接 / 其他	Connect type: Female Thread/Victaulic/Tri-Clamp/Other
型号: 2514/2521/3838/4021/4040/4080/40120/8040/8080/80120	Model: 2514/2521/3838/4021/4040/4080/40120/8040/8080/80120

图纸仅为 4 寸膜壳 +ABS 普通封盖, Drawing For 4" Membrane Housing With ABS Cap Only



尺寸 /Dimension 图纸仅为: 4 寸膜壳 +ABS 普通封盖, Drawing For 4" Membrane Housing With ABS Cap Only

型号 /Model	L(mm)	L1(mm)	ID(mm)	A(inch)	B(inch)
HFPV-4021	592	536	Φ 102	3/4" ;1/2"	1/2"
HFPV-4040-1	1077	1021	Φ 102	3/4" ;1/2"	1/2"
HFPV-4040-2	2093	2037	Φ 102	3/4"	1/2"
HFPV-4040-3	3109	3053	Φ 102	3/4"	1/2"



8" 不锈钢膜壳

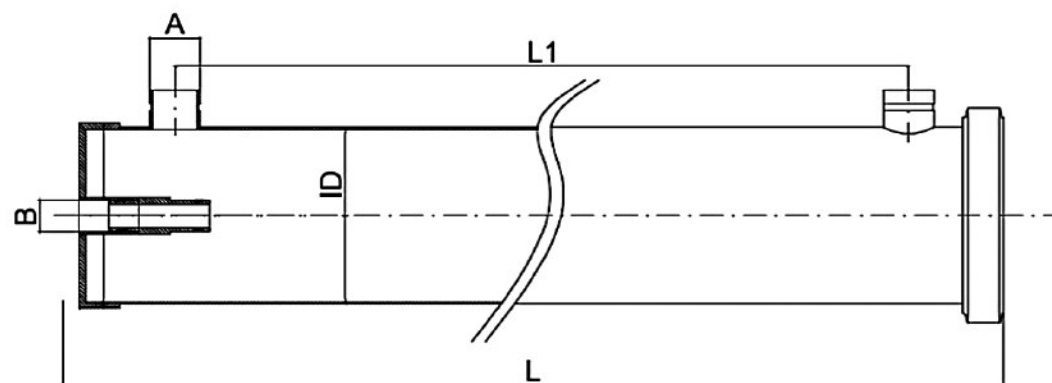
8" Stainless Steel Membrane Housing -For Water Use

参数概述 /General Specifications



端进水 / 侧进水, 不锈钢卡箍密封 / 不锈钢高压环密封	End Port/Side Port, SS Tri Clamp Closure/SS High Pressure Ring Closure
最大工作压力: 300PSI/6000SI/1200PSI	Max working pressure: 300PSI/6000SI/1200PSI
最大工作温度: 90℃	Max working temperature: 90℃
壳体材质: 不锈钢 304/316L/2205	Housing Material: 304/316L/2205
端盖材质: 不锈钢 304/316L/2205	End cap material: 304/316L/2205
O型圈材质: EPDM, NSF 级别	O-ring material: EPDM, with NSF certificate
表面处理: 机械抛光 (240目, Ra<0.8), 喷砂	Finish: Mechanical polishing (240 mesh, Ra<0.8), Sand blast
连接形式: 内螺纹 / 拷贝林 / 卫生级快接 / 其他	Connect type: Female Thread/Victaulic/Tri-Clamp/Other
型号: 配 8040 标准膜, 可装 1-6 支	Model: for 8040 membrane element, of 1-6 pcs

图纸仅为: 8 寸膜壳 300PSI 设计膜壳, Drawing For 8" 300Psi Membrane Housing Only



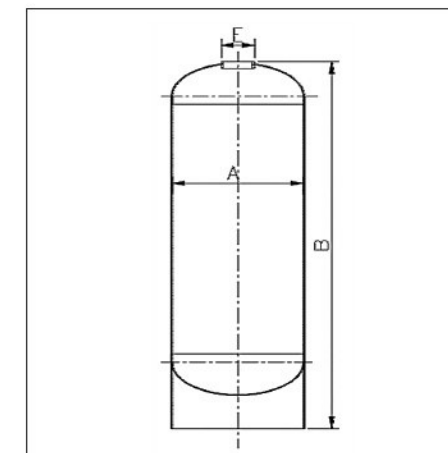
尺寸 /Dimension 图纸仅为: 8 寸膜壳 300PSI 设计膜壳, Drawing For 8" 300Psi Membrane Housing Only

型号 /Model	L(mm)	L1(mm)	ID(mm)	A(inch)	B(inch)
HFPV-8040-1	1286	1060	Φ203	1.5~3"	1" T
HFPV-8040-2	2302	2076	Φ203	1.5~3"	1" T
HFPV-8040-3	3318	3096	Φ203	1.5~3"	1" T
HFPV-8040-4	4334	4108	Φ203	1.5~3"	1" T
HFPV-8040-5	5350	5124	Φ203	1.5~3"	1" T
HFPV-8040-6	6366	6140	Φ203	1.5~3"	1" T



HF 预处理罐体

HF Pre-Treatment Tank



参数概述 /General Specifications

- 1、壳体材质: SUS304/SUS316L;
- 2、设计压力: 0.1-0.6MPa;
- 3、进/出水口: 内螺纹;
- 4、表面处理: 镜面抛光或亚光处理。

- 1、Housing Material:SUS304/SUS316L;
- 2、Design pressure:0.1-0.6Mpa;
- 3、Inlet/Outlet: Female threaded;
- 4、Finish:Mirror Polished or sandblast external surface.

尺寸 /Dimension

型号 /Model	A (mm)	B (mm)	E (mm)
Φ250x1320x2	Φ250	1320	2 1/2"
Φ300x1450x2	Φ300	1450	2 1/2"
Φ350x1500x2	Φ350	1500	2 1/2"
Φ400x1650x2	Φ400	1650	2 1/2"
Φ500x1650x2	Φ500	1650	4"
Φ600x1800x2	Φ600	1800	4"
Φ800x1900x2	Φ600	1900	4"



HF 制药级水箱

HF Saniary Water Tank(GMP Standard)



参数概述 /General Specifications

- 1、材 质: SUS304/SUS316L;
- 2、设计压力: 0.1-0.3MPa;
- 3、表面处理: 内外镜面抛光 Ra ≤ 0.6 μ m, 外表面镜面抛光 / 亚光 Ra ≤ 0.8 μ m;
- 4、进出水口: 卫生型快接。

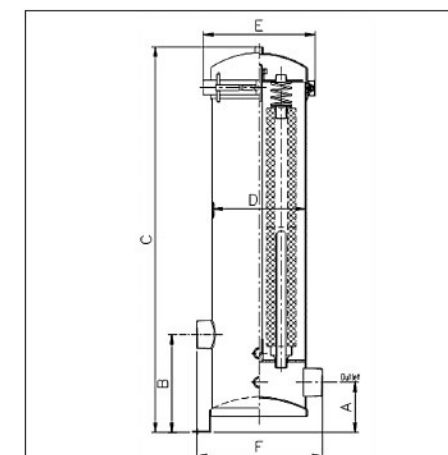
- 1、Material:SUS304/SUS316L;
- 2、Design pressure:0.1-0.3Mpa;
- 3、Finish:Mirror Polished Internal Ra ≤ 0.6 μ m , Polished or sandblast external surface Ra ≤ 0.8 μ m;
- 4、Inlet/Outlet:Ferrule

尺寸 /Dimension

Working volume (L)	Dimension of tank (Dxh)mm	Total height (H)mm	Diameter of inlet& outlet (mm)
500	800x800	1750	Φ38
800	900x1200	2150	Φ38
1000	1100x1000	2250	Φ38
2000	1200x1500	2700	Φ38
3000	1450x1500	2700	Φ51
4000	1550x1800	3300	Φ51
5000	1600x2000	3350	Φ51
6000	1700x2200	3600	Φ51

HF 卡箍式精密过滤器

HF-V-Clamp Filter Cartridge Housing



参数概述 /General Specifications

HFTCFH 3/4&5/7/12/22 芯滤芯式过滤器

- 工业和商用应用设计
- 侧进侧出设计 /V 型卡箍密封设计
- 最大工作压力和温度: 150psi & 250 °F
- 材质等级: SS304/316L
- 密封材质: EPDM
- 处理方式: 喷砂, 喷漆, 电解
- 进出口: 1"-2" 美标外丝
- 滤芯种类: DOE/222 10-40"
- 1/2" 排污口 & 1/4" 排气口

HFTCFH 3Rounds/4&5Rounds/7Rounds/12Rounds/22Rounds

- Design for Industrial & commercial applications with Non-Code.
- Sidein/Side out & Band V-clamp top closure
- Max.working pressure & temperature: 150psi & 250 °F
- Materialgrade: SS304/316L heavy duty construction
- O-ring:Standard is Buna-N; EPDM
- Finish:standard is poly coat, electro polished is option.
- Connection:standard is 1-2" MNPT thread. MBSP/ Flange/Victaulic/Tri-clamp is option
- Cartridge: DOE ,10-40melt blown & wound cartridge
- 1/2"drain& 1/4" NPT vent or gauge.

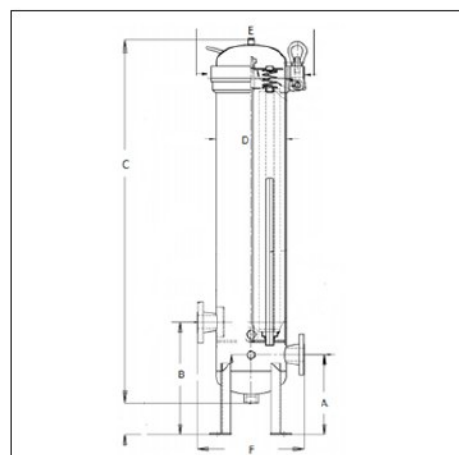
尺寸 /Dimension

型号 /Model	A (mm)	B (mm)	C (mm)	D (mm)	E (mm)	F (mm)	Inlet/Outlet	Drain
HFCF-Φ170x3X10"	75	180	505	Φ170	Φ216	230	1";-1 1/2"	1/4";1/2"
HFCF-Φ170x3X20"	75	180	800	Φ170	Φ216	230	1";-1 1/2"	1/4";1/2"
HFCF-Φ170X 3X30"	75	180	1050	Φ170	Φ216	230	1";-2"	1/4";1/2"
HFCF-Φ200X 5X10"	75	180	560	Φ200	Φ248	260	1";-1 1/2"	1/4";1/2"
HFCF-Φ200X 5X20"	75	180	810	Φ200	Φ248	260	1";-1 1/2"	1/4";1/2"
HFCF-Φ200X 5X30"	75	180	1060	Φ200	Φ248	260	1";-2"	1/4";1/2"
HFCF-Φ200X 5X40"	120	220	1360	Φ200	Φ248	260	1";-2"	1/4";1/2"
HFCF-Φ250X 7X10"	120	220	620	Φ250	Φ310	310	1";-1 1/2"	1/2"
HFCF-Φ250X 7X20"	120	220	870	Φ250	Φ310	310	1";-1 1/2"	1/2"
HFCF-Φ250X 7X30"	120	220	1120	Φ250	Φ310	310	1 1/2";-2 1/2"	1/2"
HFCF-Φ250X 7X40"	120	220	1370	Φ250	Φ310	310	1 1/2";-2 1/2"	1/2"



HF 吊环法兰式滤芯过滤器

HF-Swing Bolt Filter Cartridge Housing



参数概述 /General Specifications

HF 吊环法兰滤芯过滤器

- 工业和商用应用设计
- 侧进侧出设计 / 吊环法兰密封密封设计
- 最大工作压力和温度: 150psi & 212 °F
- 材质等级: SS304/316L
- 密封材质: EPDM
- 处理方式: 喷砂, 喷漆, 电解
- 进出口: 2"FNPT/ 法兰
- 滤芯种类: DOE/222 10-40"
- 1/2" 排污口 & 1/4" 排气口

HF Swing Bolt Cartridge Filter Housing

- Design for Industrial & commercial applications with ASME Code "UM" Stamp or Non-Code.
- Side in and Side out & Swing bolt closure
- Max. working pressure: 150psi (10bar)
- Max. working temperature: 212 °F(100 °C)
- Material grade: SS304/316L heavyduty construction
- O-ring: Standard is Buna-N; EPDM
- Finish: standard is glass bead; electro polished is option.
- Connection: FNPT/Flange
- Cast cover and flange heavy dutystructure
- Cartridge: universal cup for DOE/222 ,10-40"length
- 1/2"drain & 1/4" NPT vent or gauge.

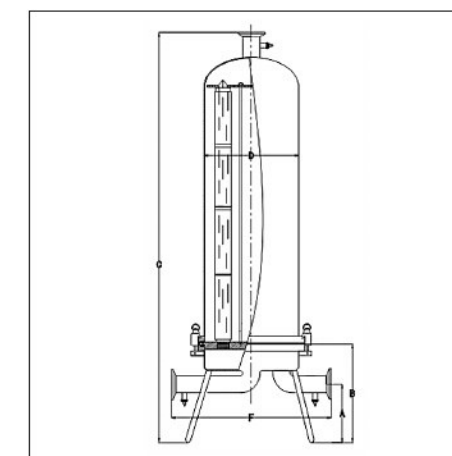
尺寸 /Dimension

型号 /Model	A (mm)	B (mm)	C (mm)	D (mm)	E (mm)	F (mm)	Inlet/Outlet	Drain
HFCF-Φ170x3X10"	75	180	505	Φ170	Φ216	230	1";-1 1/2"	1/4";1/2"
HFCF-Φ170x3X20"	75	180	800	Φ170	Φ216	230	1";-1 1/2"	1/4";1/2"
HFCF-Φ170X 3X30"	75	180	1050	Φ170	Φ216	230	1";-2"	1/4";1/2"
HFCF-Φ200X 5X10"	75	180	560	Φ200	Φ248	260	1";-1 1/2"	1/4";1/2"
HFCF-Φ200X 5X20"	75	180	810	Φ200	Φ248	260	1";-1 1/2"	1/4";1/2"
HFCF-Φ200X 5X30"	75	180	1060	Φ200	Φ248	260	1";-2"	1/4";1/2"
HFCF-Φ200X 5X40"	120	220	1360	Φ200	Φ248	260	1";-2"	1/4";1/2"
HFCF-Φ250X 7X10"	120	220	620	Φ250	Φ310	310	1";-1 1/2"	1/2"
HFCF-Φ250X 7X20"	120	220	870	Φ250	Φ310	310	1";-1 1/2"	1/2"
HFCF-Φ250X 7X30"	120	220	1120	Φ250	Φ310	310	1 1/2";-2 1/2"	1/2"
HFCF-Φ250X 7X40"	120	220	1370	Φ250	Φ310	310	1 1/2";-2 1/2"	1/2"



HF-GMP 制药级滤芯过滤器

HF-GMP Filter Cartridge Housing



参数概述 /General Specifications

- 1、材质 SUS304, SUS316L;
- 2、最大工作压力 150Psi;
- 3、表面抛光处理或拉丝处理;
4. 符合 GMP 制药级标准。

- 1、Material:SUS304,SUS316L;
- 2、Max working pressure 150Psi;
- 3、Polished or brushing external surface;
4. Meet GMP Standard.

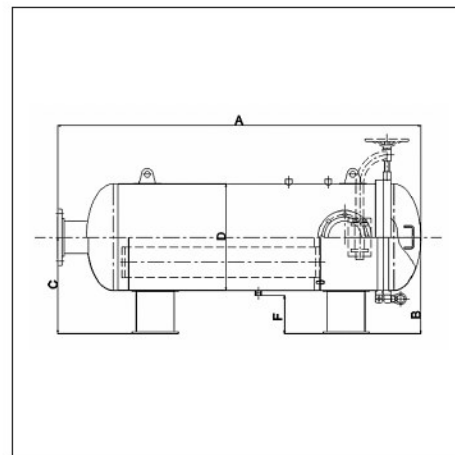
尺寸 /Dimension

型号 /Model	A (mm)	B (mm)	C (mm)	D (mm)	F (mm)	Drain
HFGMP-Φ200x3x20"	100	180	910	Φ200	300	1 1/2"
HFGMP-Φ200x3x30"	100	180	1160	Φ200	300	1 1/2"
HFGMP-Φ250x6x20"	100	250	1160	Φ250	400	1 1/2"
HFGMP-Φ250x6x30"	100	250	1160	Φ250	400	1 1/2"
HFGMP-Φ300x8x30"	100	265	1175	Φ300	440	2"
HFGMP-Φ300x10x30"	100	265	1175	Φ300	440	2"
HFGMP-Φ350x12x30"	120	330	1240	Φ350	490	3"
HFGMP-Φ400x16x30"	120	350	1260	Φ400	540	3"



HF 卧式大流量过滤器

HFCF-High Flow Filter Cartridge Housing



参数概述 /General Specifications

- 1、材质 SUS304, SUS316L;
- 2、最大工作压力 150Psi;
- 3、卧式或立式;
- 4、表面抛光处理或亚光处理。

- 1、Material:SUS304,SUS316L;
- 2、Max working pressure 150Psi;
- 3、Horizontal/Vertical;
- 4、Polished or sandblast external surface.

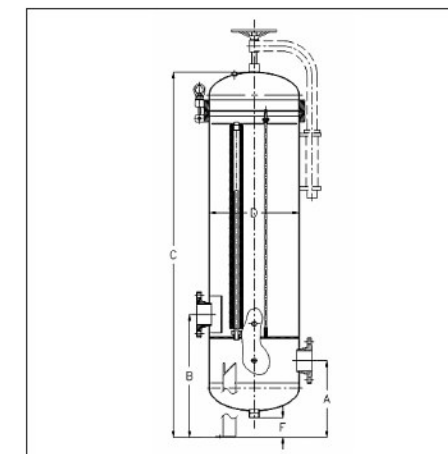
尺寸 /Dimension

型号 /Model	A (mm)	B (mm)	C (mm)	D (mm)	F (mm)	Inlet/Outlet	Drain
HFCFB-Φ450x3X20	1550	510	510	Φ450	260	DN100	3/4"
HFCFB-Φ450x3X40	2060	510	510	Φ450	260	DN100	3/4"
HFCFB-Φ550x5X20	1600	560	560	Φ550	260	DN150	3/4"
HFCFB-Φ550x5X40	2110	560	560	Φ550	260	DN150	3/4"
HFCFB-Φ600x7X20	1625	585	585	Φ600	260	DN200	3/4"
HFCFB-Φ600x7X40	2135	585	585	Φ600	260	DN200	3/4"



HF 吊环法兰式滤芯过滤器

HF-Swing Bolt Filter Cartridge Housing



参数概述 /General Specifications

- HF 吊环法兰式滤芯过滤器
- 工业和商用应用设计
 - 侧进侧出设计 / 吊环法兰密封设计
 - 最大工作压力和温度: 150psi & 212 °F
 - 材质等级: SS304/316L
 - 密封材质: EPDM
 - 处理方式: 喷砂, 喷漆, 电解
 - 进出口: 2" FNPT/ 法兰
 - 滤芯种类: :DOE /222 10-40"
 - 1/2" 排污口 & 1/4" 排气口

- HF Swing Bolt Cartridge Filter Housing
- Design for Industrial & commercial applications with ASME Code"UM" Stamp or Non-Code.
 - Side in and Side out & Swing bolt closure
 - Max working pressure: 150psi (10bar)
 - Max. working temperature: 212 °F(100 °C)
 - Material grade: SS304/316L heavyduty construction
 - O-ring: Standard is Buna-N; EPDM
 - Finish: standard is glass bead; electro polished is option.
 - Connection: FNPT/Flange
 - Cast cover and flange heavy duty structure
 - Cartridge: universal cup for DOE/222 ,10-40,rlength
 - 1/2"drain & 1/4" NPT vent or gauge.

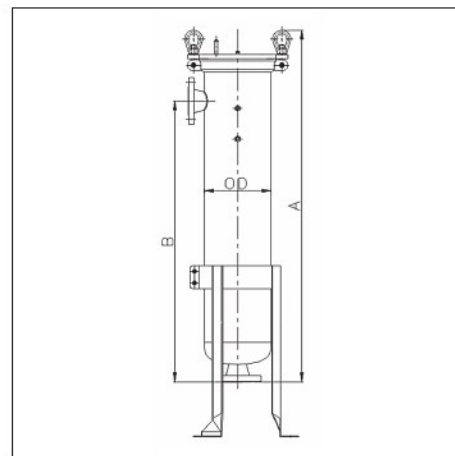
尺寸 /Dimension

型号 /Model	A (mm)	B (mm)	C (mm)	D (mm)	F (mm)	Drain
HFCF-Φ350x15x40"	360	900	1665	Φ350	150	2" - 3" 1/2"
HFCF-Φ400x18x40"	380	900	1690	Φ400	150	2" - 3" 1/2"
HFCF-Φ450x24x40"	395	900	1715	Φ450	150	2" - 4" 3/4"
HFCF-Φ500x30x40"	415	1000	1740	Φ500	180	2" - 4" 3/4"
HFCF-Φ550x36x40"	430	1000	1765	Φ550	180	3" - 5" 3/4"
HFCF-Φ600x45x40"	450	1100	1830	Φ600	180	3" - 5" 3/4"
HFCF-Φ650x51x40"	465	1100	1855	Φ650	180	3" - 5" 3/4"
HFCF-Φ700x60x40"	480	1200	1900	Φ700	180	3" - 5" 1"
HFCF-Φ750x72x40"	500	1200	1925	Φ750	180	4" - 6" 1"
HFCF-Φ800x81x40"	515	1250	1950	Φ800	200	4" - 6" 1"
HFCF-Φ850x90x40"	555	1250	2025	Φ850	200	4" - 6" 1"
HFCF-Φ900x99x40"	570	1250	2050	Φ900	200	4" - 6" 1"



HFBF 吊环法兰式过滤器 - 单袋

HFBF Swing Bolt Bag Filter Housing- Single



参数概述 /General Specifications

HFSBH-4"/7"/8" 单袋过滤器

- 重型工业和商用设计 (U 印或者没有)
- 侧进底出设计
- 平板不锈钢上盖密封, 吊环密封
- 最大工作压力: 150Psi
- 最大工作温度: 250 °F(120 °C)

HFSBH-4"/7"/8"Single Bag Filter Housings

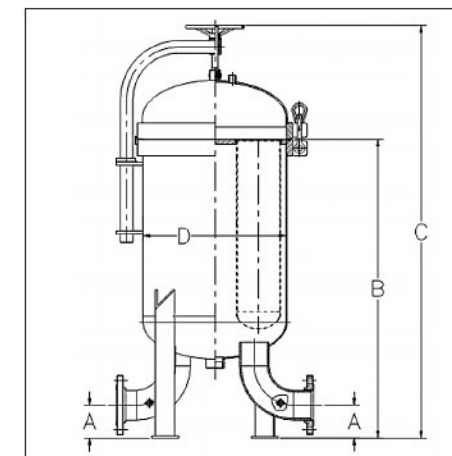
- Design for industrial & commercial applications with ASME code "UM" stamp or Non-code
- Side in and bottomout pipe connection
- Plate cover with swing bolt top closures
- Max. working pressure: 150psi(10bar)
- Max. temperature: 250 °F(120 °C)
- Material: type 304/316L stainless steel is available
- Seal: standard is Buna-N; EPDM Viton, Teflon is option
- Finish: standard is glass bead; electro polished is option.
- Connection: standard is 1 1/2"/2" FNPT thread
- Filter bag: for bag filter size 01#&02# 03# & 04#
- Concave cover with 1/4" NPT vent or gauge
- The adapter with o-ring can free move for no filtrate by pass
- Adjustable stainless steel mounting legs is option
- Model: HFSBH-4"-0103/0104/HFSBH-7"-0101/0102/HFSBH8"-0101/0102

尺寸 /Dimension

型号 /Model	A (mm)	B (mm)	D (mm)	Inlet/Outlet	Drain
HF-Φ219-1#	695	510	Φ219	1" ~3"	1/4"
HF-Φ219-2#	1075	890	Φ219	1" ~3"	1/4"
HF-Φ114-4#	514	475	Φ114	1" ~2"	1/4"

HF- 多袋滤袋过滤器 (底进底出)

HFBF-Multi-Bags Filter Housing (Bottom In/Bottom Out)



参数概述 /General Specifications

工业重型设计, ASME 标准 U 印或者没有

- 三种进出口方向设计: 侧进侧出 / 侧进底出 / 底进底出
- 最大工作压力: 150psi(10bar)
- 最大工作温度: 250. F(120. C)
- 材质选择: 304/316L
- 滤袋标准: 01# & 02#
- 重型腿设计支撑
- 型号: 2 袋 24 袋

Heavy duty design for industrial applications with ASME code

- "U" stamp or Non-code
- Max. working pressure: 150psi(10bar)
- Material: type 304/316L stainless steel is available
- Connection: raised face 150-lb ANSI flange
- Filter bag: for bag filter size 01# & 02#
- Model: from 2 to 24 bags

尺寸 /Dimension

型号 /Model	A (mm)	B (mm)	C (mm)	D (mm)	Inlet/Outlet	Drain
HFBF-Φ400x2	110	1110	1430	Φ400	3"	1/2"
HFBF-Φ450x3	110	1110	1430	Φ450	3"	1/2"
HFBF-Φ550x4	150	1200	1560	Φ550	4"	1/2"
HFBF-Φ650x6	200	1380	1780	Φ650	6"	3/4"
HFBF-Φ750x8	200	1460	1950	Φ750	8"	3/4"
HFBF-Φ850x10	250	1550	2050	Φ850	8"	3/4"
HFBF-Φ950x12	250	1570	2100	Φ950	10"	3/4"